



Doing Good From The Ground Up



Built for Compliance.

StormPit INSTALLATION GUIDE



StormPit Installation Guide June 2023

Ph: 09 263 7741, Fax 09 263 7743, 49 McLaughlins Rd, Wiri 2104, PO Box 12663 Auckland 1642,
sales@apd.co.nz - www.apd.co.nz



Doing Good From The Ground Up

PIT LOCATION - PROXIMITY TO NEARBY STRUCTURES:

The location of the pit excavation is the responsibility of the contractor and the pit owner. The contractor is to follow the limitations of the diagrams shown or notify a chartered professional engineer for site specific consultation.

EXCAVATION CLEARANCE:

Contractor to ensure a minimum of 200mm between the outside edge of the anti-flotation ring and the edge of the excavation.

SOIL CONDITIONS:

This design assumes site soils meet the requirements of NZS3604:2011. Classification of "Good ground". Contractor to confirm site exhibits these properties or notify chartered professional engineer for consultation.

BACKFILL AND BASECOURSE:

Compactable backfill must be used not exceeding GAP 20 in particle size. Contractor to work in maximum backfill lifts of 200mm. Special care must be used to ensure that there is adequate compacted material above the anti-flotation rings on all of the pits.

TEMPORARY SUPPORT AND SHORING:

When installing the Type Two pit the excavation may exceed the regulation below. 1995, REGULATION 24 FOR EXCAVATIONS WITH FACE MORE THAN 1.5M HIGH SUBJECT TO SUBCLAUSE (2), EVERY EMPLOYER SHALL TAKE ALL PRACTICABLE STEPS TO ENSURE THAT, WHERE ANY FACE OF ANY EXCAVATION IS MORE THAN 1.5 METRES HIGH, THAT FACE IS SHORED. This may mean that shoring and/or battering maybe needed to make sure that no one is working in an excavation with a face greater than 1.5 metres high.

FINAL HEIGHT ADJUSTMENT:

All pits come with an adjustable riser section except the Bubble Up. This can be cut down to achieve that final finished height and angle. Please remember to cut the bottom of the riser so that it finishes above the top of the inlet pipe. This must leave room below the top of the pit. The lines are at 25mm to assist with this measurement. The grate from the 250mm and Type One also fits directly into the top of the body of the pit if the riser is not needed.



Doing Good From The Ground Up

PUMP CHAMBERS:

The Type One, Type Two and Bubble Up could be used as pump chambers.

The approximate volumes are:

1. Type One - 110 Litres
2. Type Two - 500 Litres
3. Bubble Up - 150 Litres

Design as a pump chamber is the responsibility of the installer.

NOTES:

- Contractor to confirm all levels and dimensions and locate and mark all services and drains before commencing work.
- Contractor to follow material specifications and limits of location with relation to structures and retaining walls.
- Blind spigots are provided on all the pits so that the contractor can pre-determine which options are needed for each pit prior to installation. The spigots that will be used can be drilled or cut to open up the conduit.
- Flexible couplers can then be used to connect the pipework.

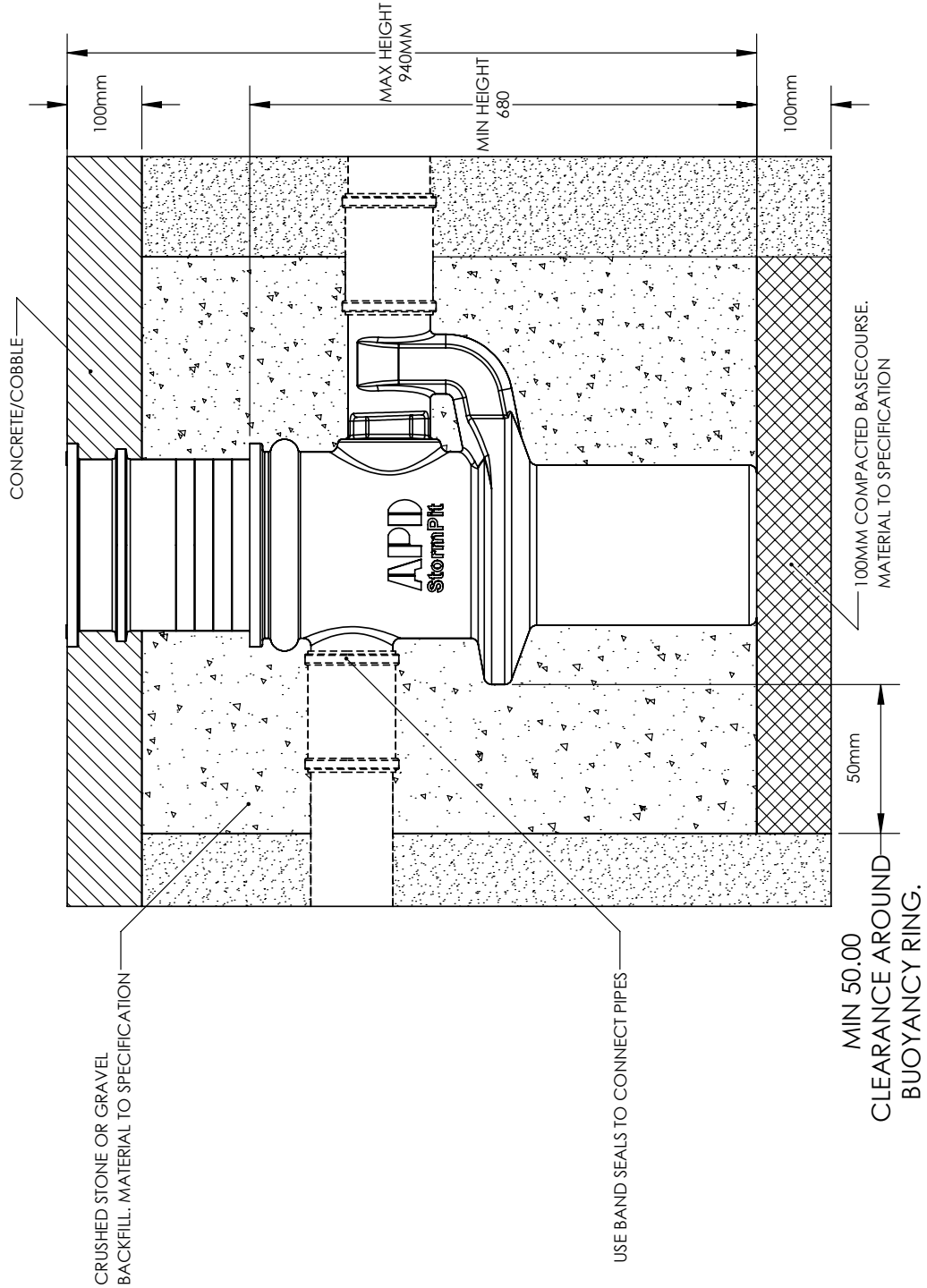
MAINTENANCE:

- Check for silt build up yearly and clean out if necessary.
- The 250 and Type One have a removable access cap in the top outlet pipe that allows access to the outlet pipe for clearing.



Doing Good From The Ground Up

STORMPIT 250MM



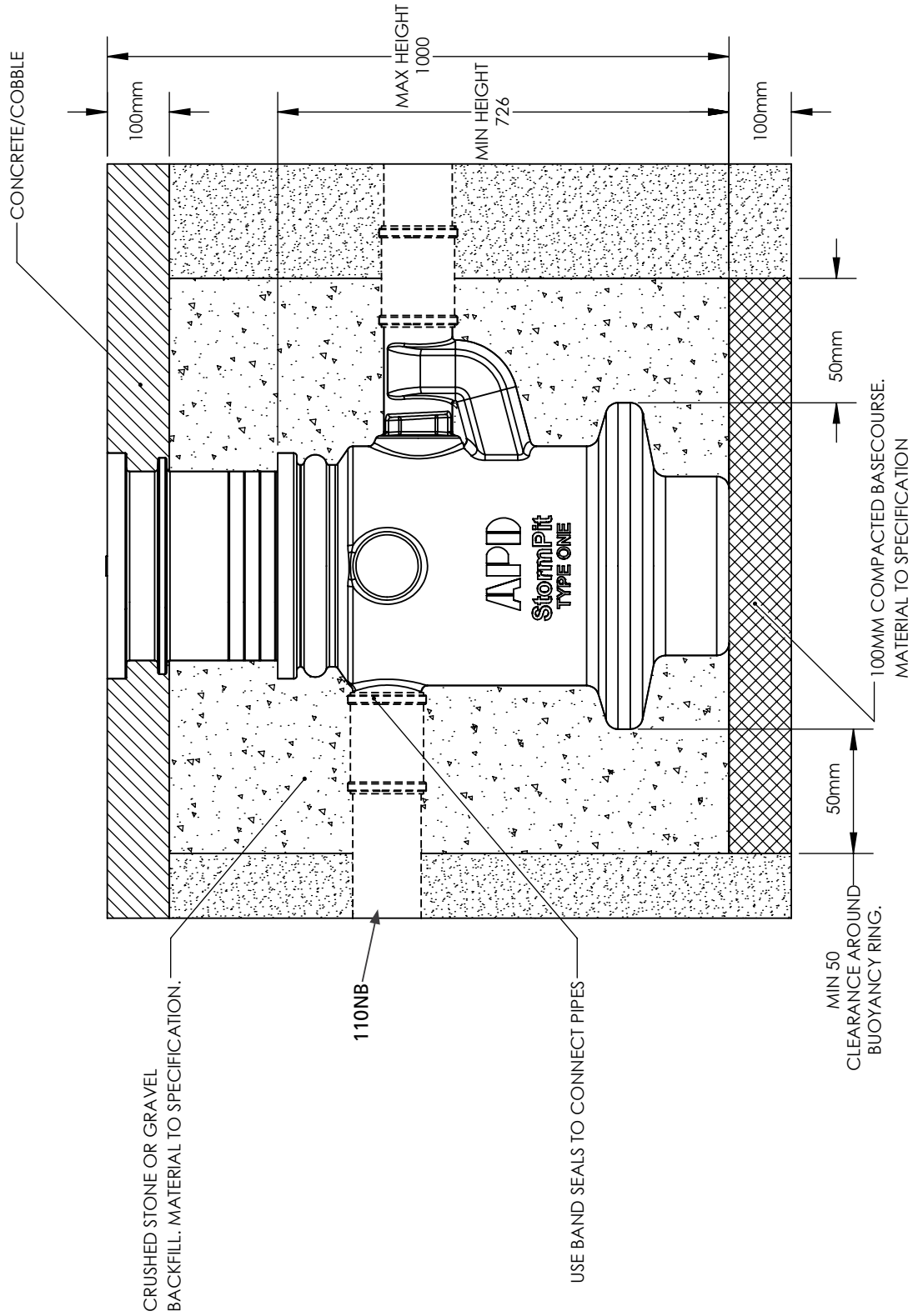
StormPit Installation Guide June 2023

Ph: 09 263 7741, Fax 09 263 7743, 49 McLaughlins Rd, Wiri 2104, PO Box 12663 Auckland 1642, sales@apd.co.nz - www.apd.co.nz



Doing Good From The Ground Up

STORMPIT TYPE ONE

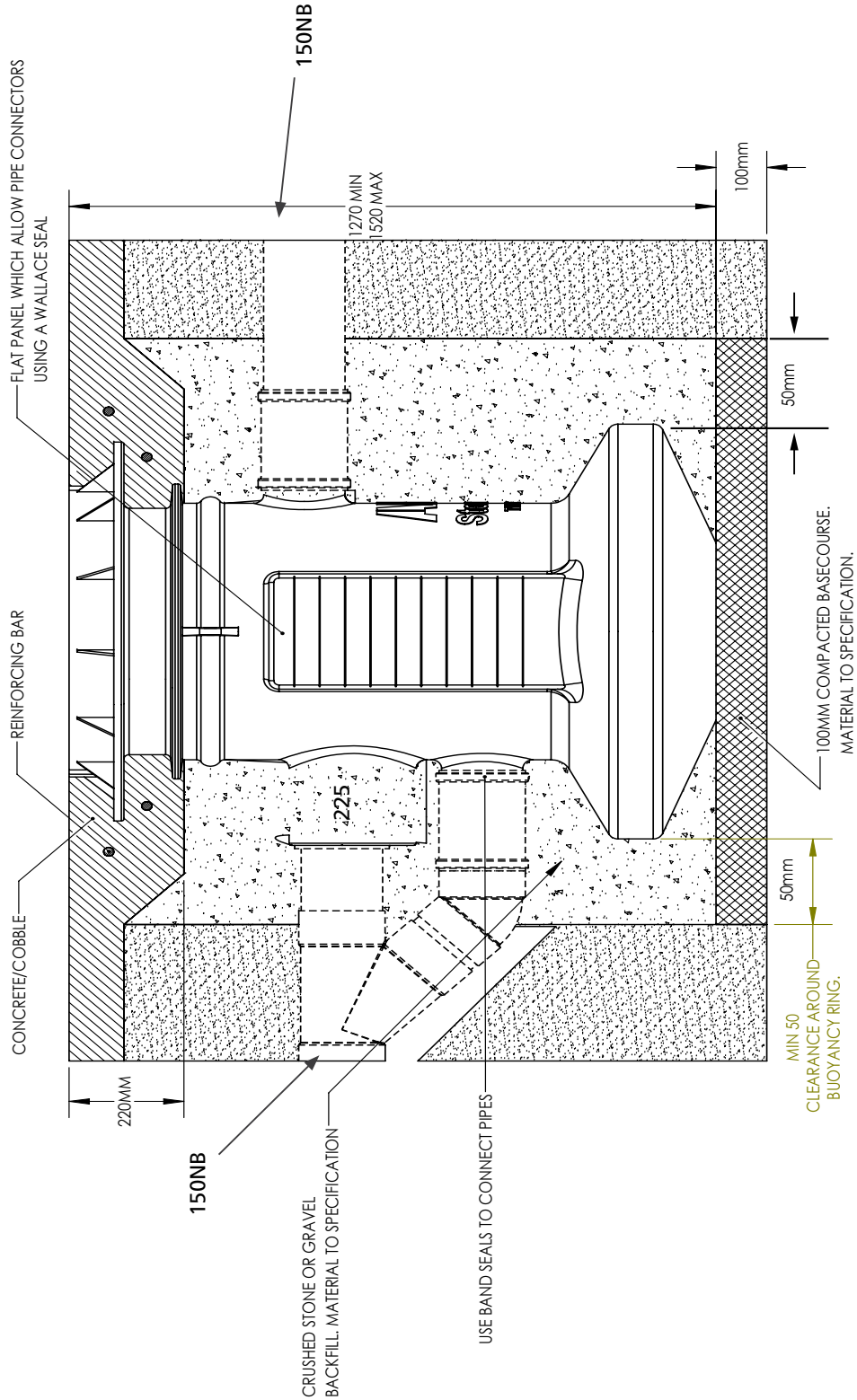


StormPit Installation Guide June 2023

Ph: 09 263 7741, Fax 09 263 7743, 49 McLaughlins Rd, Wiri 2104, PO Box 12663 Auckland 1642, sales@apd.co.nz - www.apd.co.nz



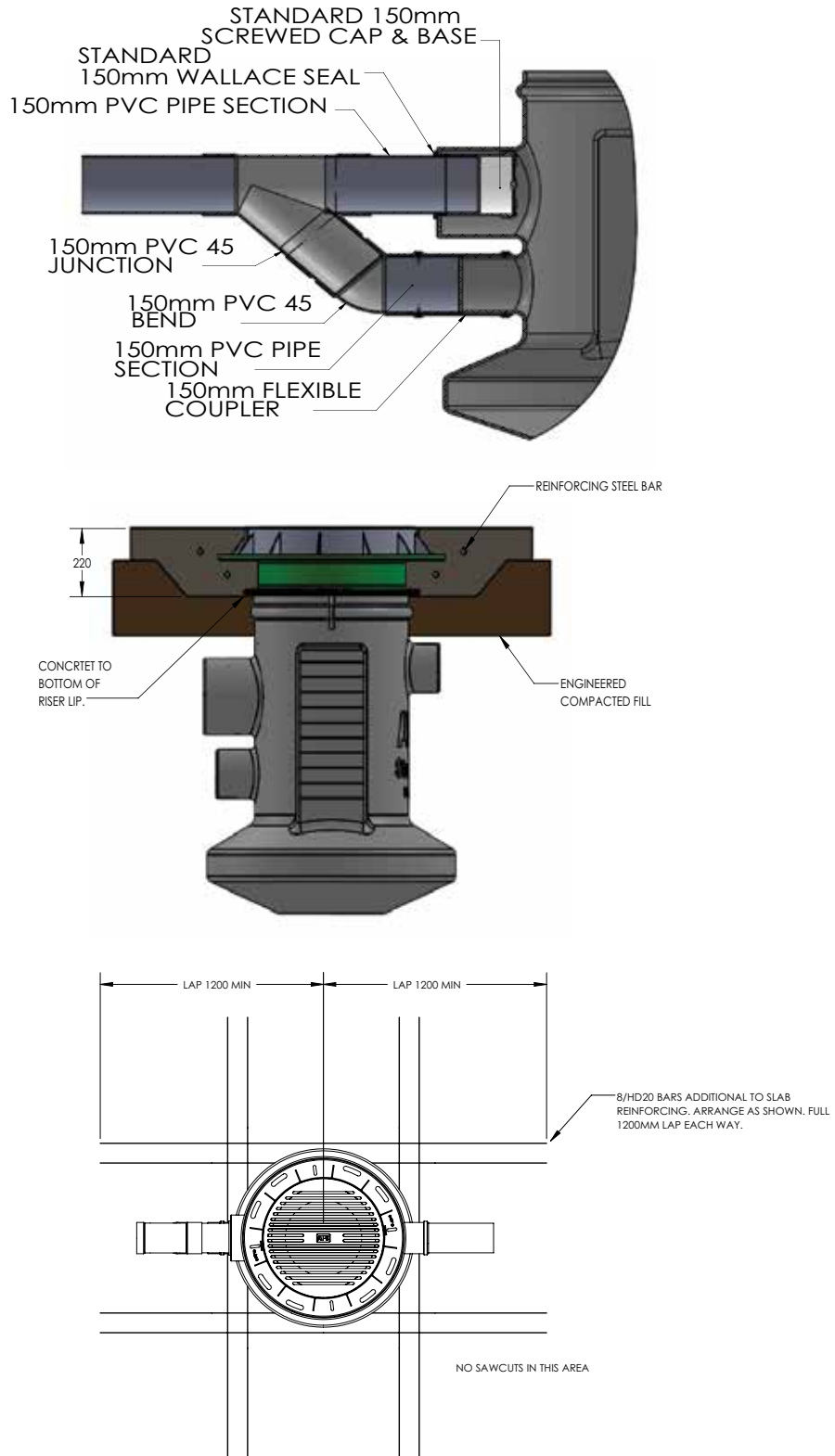
Doing Good From The Ground Up





Doing Good From The Ground Up

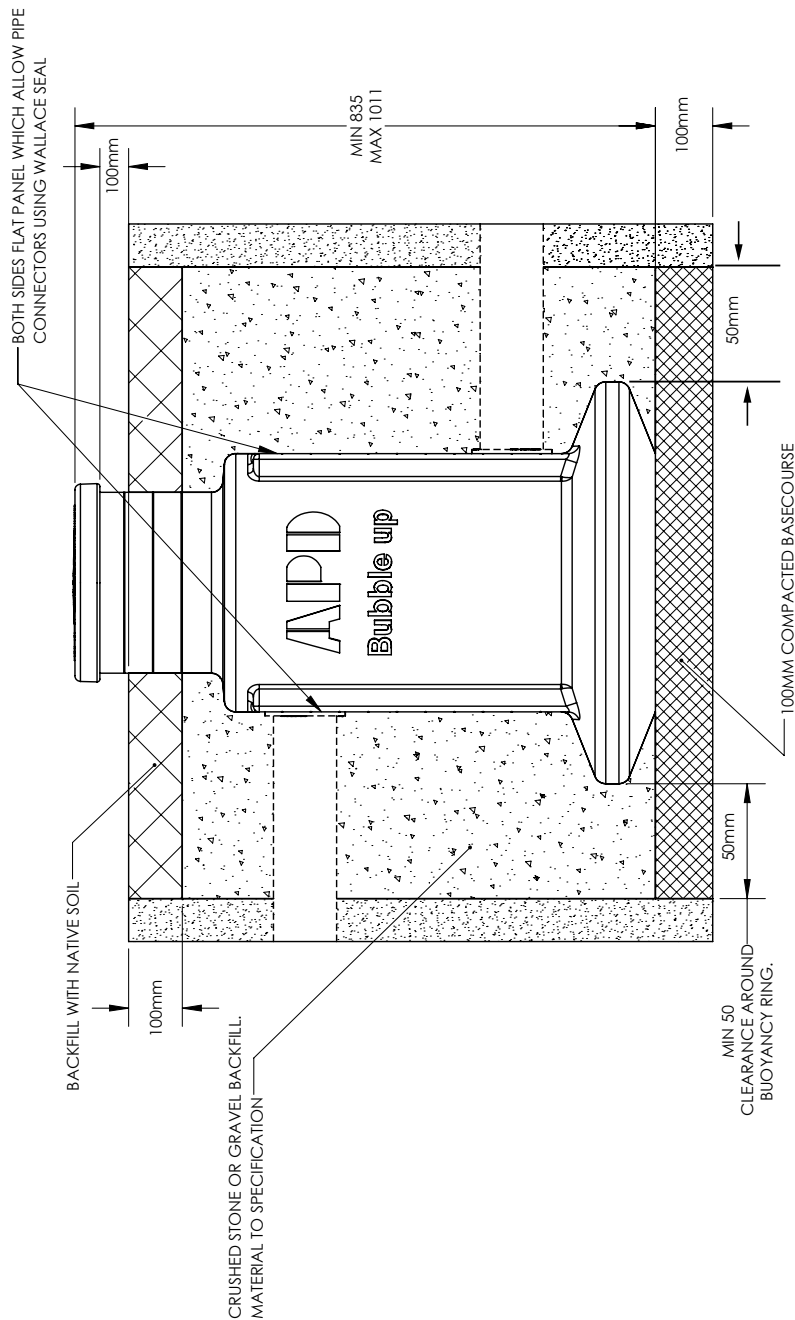
The drawing below shows a typical layout for the Type Two Siphon and the steel work needed when using a cast iron manway cover in a driveway.





Doing Good From The Ground Up

STORMPIT BUBBLE UP



DUCTILE IRON TRAFFICABLE LIDS ARE NOW AVAILABLE IN BOTH ROUND AND SQUARE OPTIONS FOR THE STORMPIT BUBBLEUP



StormPit Installation Guide June 2023

Ph: 09 263 7741, Fax 09 263 7743, 49 McLaughlins Rd, Wiri 2104, PO Box 12663 Auckland 1642, sales@apd.co.nz - www.apd.co.nz