

StormPit®

SURFACE WATER SUMPS

Built for Compliance.

StormPit Bubble Up



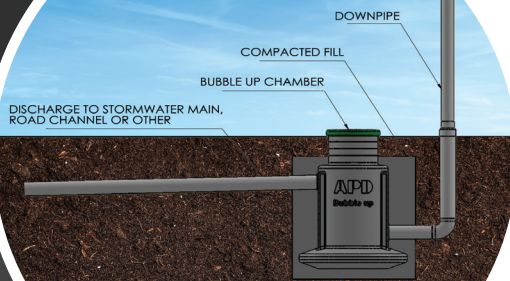
The APD StormPit Bubble Up chamber is designed to meet all the NZBC requirements, making your job faster and easier!

**EASIER!
FASTER!**

APD's StormPit range offers more than just compliance to NZBC E1 – we have designed additional features to benefit the installer onsite and ensure long-term, trouble-free use.

ADDITIONAL FEATURES

- Adjustable in overall height from 835mm – 1010mm.
- Moulded garden lid with fixings.
- 175mm of height adjustment.
- 2 x flat panels for easy installation of pipe and seals to the required height.
- 2 x 100mm Wallace seals provided.
- Anti-flotation ring, no additional concrete required.
- Easy height identification marks for cutting and drilling.
- Made in NZ of durable recyclable polyethylene.
- Manufactured from water tank grade PE material suitable for below ground installations.
- Outlet can be put through the Riser section using the Wallace seal.
- Garden & pavement (Ductile Iron) lids available for the Distribution Chamber.



For more information contact
your APD account manager
or call (09) 263 7741

www.apd.co.nz

November 2023

APD

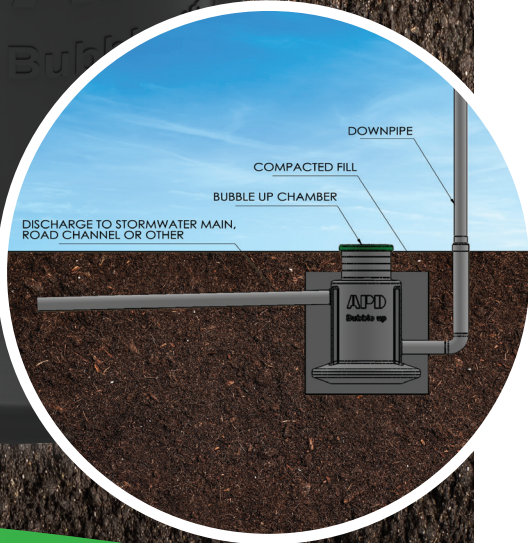
Doing Good From The Ground Up

StormPit[®]

SURFACE WATER SUMPS

Built for Compliance.

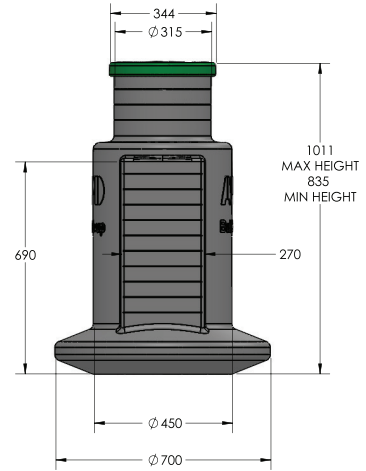
**EASIER!
FASTER!**



StormPit Bubble Up



STANDARD UNIT WITH GARDEN LID



DUCTILE IRON LIDS AVAILABLE IN ROUND OR SQUARE FORMATS



For more information contact
your APD account manager
or call (09) 263 7741

www.apd.co.nz

November 2023



Doing Good From The Ground Up